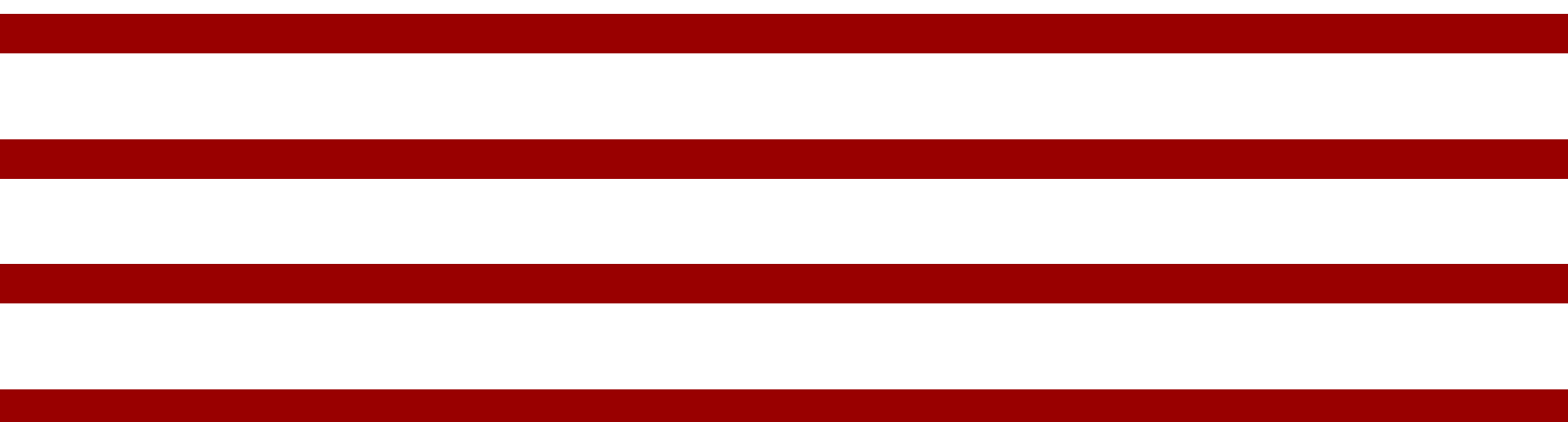


cepicat

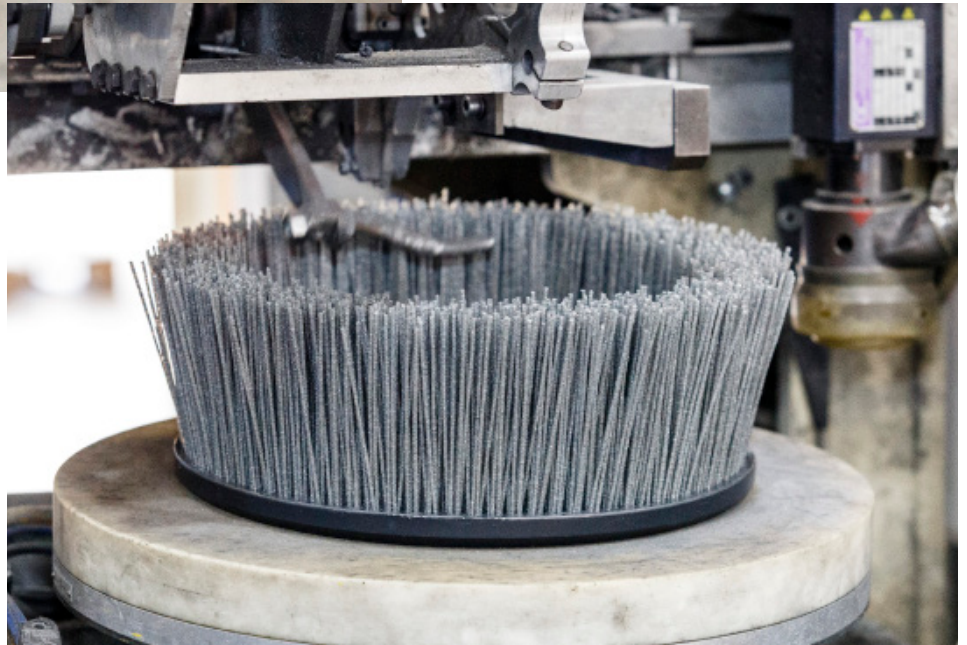
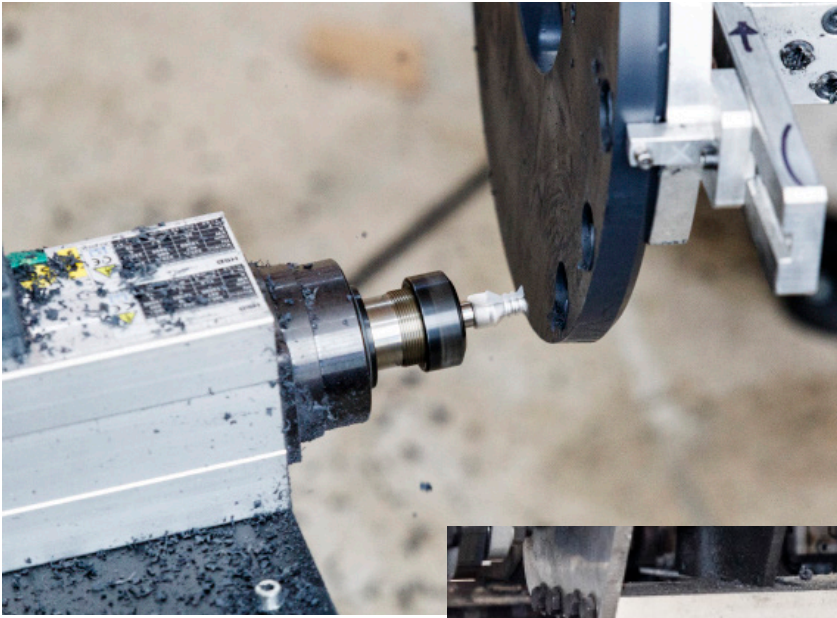
Stone Tools

Processing and polishing





- 01 Cepicat, who we are
- 02 Why Cepicat
- 03 Types of stone finish
- 04 Grit Material
- 05 Abrasive filaments
- 06 General Characteristics
- 07 Products
 - 07.1 Cepistone
 - 07.2 Cepiflex
 - 07.3 Resin Abrasives
- 08 Fixation
- 09 How to make a Cepicat order



01 Cepicat, who we are?

CEPICAT was founded in 2005 with a view to becoming a benchmark in the production of modern brushes. Since the outset, we've placed particular focus on the manufacture of high-quality brushes with cutting-edge systems, machinery and production processes.

02

Why Cepicat?

There are many companies that manufacture flexible abrasives, but at **CEPICAT** you will find a highly-qualified team that uses the latest industrial technologies to design and produce the best product for each customer's needs with the desired time frame, quality and price.

CEPICAT is an Industry 4.0 company, robotizing all our manufacturing processes and expanding our big data processes. We have achieved a high degree of efficiency that allows us to compete in the global marketplace.



03 Product lines

CEPISTONE

Used for the processing of natural stone and synthetic stone.

CEPIFLEX

Developed to achieve matt finishings on natural stone and synthetic stone.

RESIN ABRASIVES

Used for polishing quartz, natural stone, and ceramics.

Our products are suitable for 3 types of stone finishes:

Aged effect

We manufacture abrasive nylon brushes to give texture to the natural stone and synthetic stone. The bristles of these can be silicon carbide, aluminum oxide, diamond and among others an abrasive ceramic.

These bristles erode the soft part of the material creating an "aged" surface, also called the "skin effect".

Satin effect

We manufacture rubber brushes with abrasive CEPIFLEX which produces a satin effect on the materials. They are less aggressive than abrasive nylon brushes producing a less textured result than the "aged effect".

We use robotic cells with our manufacturing process, which guarantee the quality of our products and which produce constant effects in the different materials.

Polishing effect

We currently get finishes which combine traditional abrasives with our CEPIFLEX rubber products.

The natural stone and synthetic stone market demands finishes of different roughnesses and brightness levels, and we can achieve them.

04

Grit Material



Silicon Carbide: The hardness of black silicon carbide is between oxide alumina and diamond. It has high mechanical strength, stable chemical properties, high thermal conductivity, low thermal expansion coefficient, good wear resistance, and certain electrical and thermal conductivity.

The base material of the bristles is a nylon heavily impregnated with abrasive SiC particles.

During manufacturing, the individual filaments are specially treated to resist thermal aging.

Made from high-end engineering polymers PA 6.10 and PA 6.12 these items are used in a multitude of both wet and dry applications, including steel, hard metal and for textile structuring.

Diamond: Minerals are assigned a number between 1 and 10 on the Mohs Hardness Scale to describe how resistant to scratching they are. Diamonds are given the highest number, a 10. There is nothing that can scratch a diamond except another diamond.

With diamond bristles, the processing spectrum covers applications ranging from edge rounding off to super finish surface polishing. The heat resistance of the nylon base material heat resistance means that diamond brushes can be used in either wet or dry processing environments.

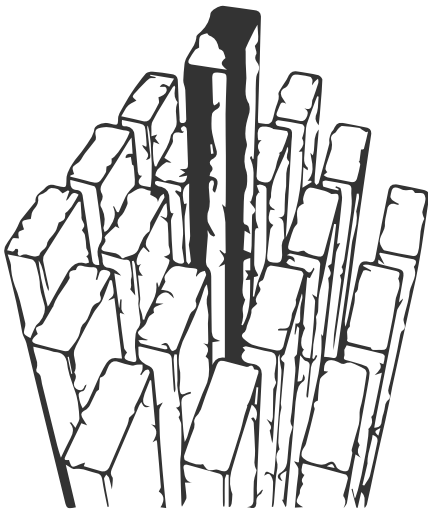
Ceramic: Abrasive ceramics are used to grind or cut away other softer material. Primarily, when considering the design of an abrasive material it is hardness and wear resistance that are of the most importance. Toughness is also considered as a necessary requirement so that the abrasive material does not shatter during grinding.

The base material of these bristles is again nylon. However, the structure of the grains in the ceramic brush is generally more aggressive than in the SiC version. These tools achieve superior stock removal rates and hence larger radius on edges result. The material is particularly suited to wet working conditions

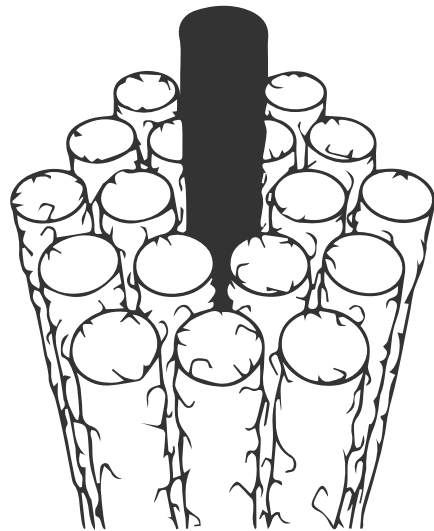
05

Abrasive filaments

Our filaments are characterized for its long brush life, their fast and excellent performance, and its rigidity in wet conditions.
We offer them in 2 models:



Rectangular



Round

06

General Characteristics

- We produce **all grits** with different filament diameters, % grit load, plastic base and shapes.
- Diameter : from 0.2 mm to 3 mm
- **Plastic base**: Nylon 6.12, Nylon 6.10 and Nylon 6
- **Shape**: Round or rectangular (more aggressive) and crimp or level
- % grit load: from 15% to 40%

07

Products

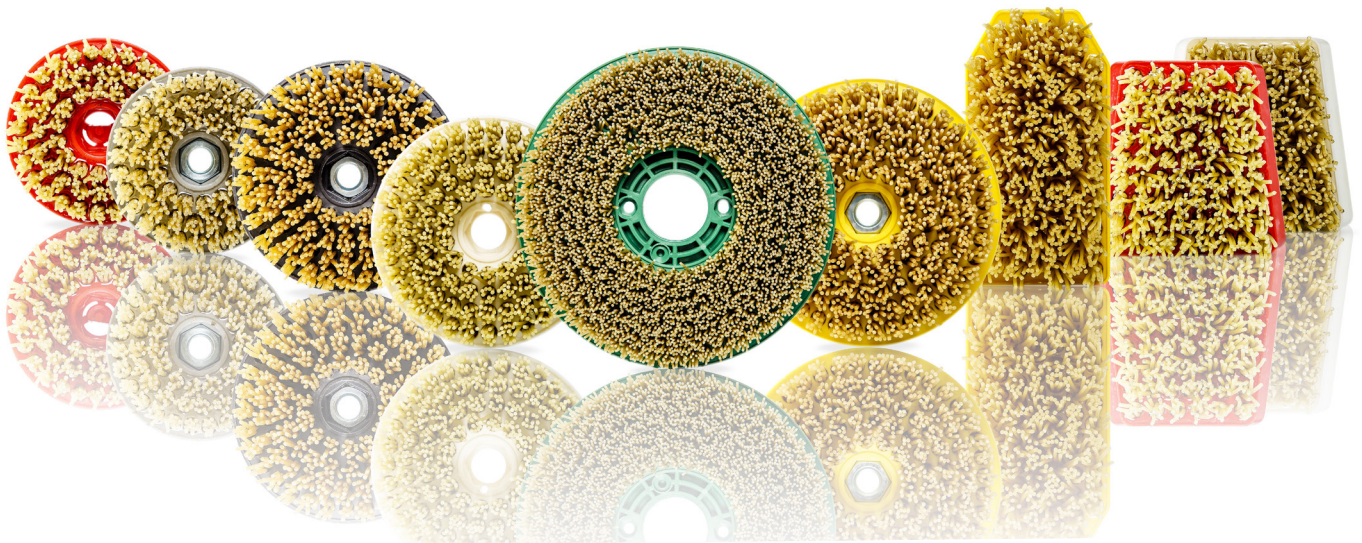
07.1 Cepistone:

Our line of **CEPISTONE** products achieve a textured finish on natural surfaces (marble, granite, terrazzo) as well as synthetic ones (porcelain, quartz).

The base for all our filaments is premium PA 6.12. Depending on the materials and the effects desired effects, the abrasive grain used in the brushes can be diamond, silicon carbide and ceramic. For the achievement of efficient grinding and long lifetimes, all our brushes have a high grit load.

Or brushes **CEPIBRUSH**, of the line Cepistone, leads to perfect textures on granite, marbles, Terrazzo, quartz surfaces and many more.

We produce Cepisbrush Frankfurts, Fickerts and round formats.



Frankfurt:



	Frankfurt's Material	Silicon Carbide	Diamond	Silicon Carbide (Resinated)	Diamond (Resinated)
Grit	24	F-24	FD-24	F-24R	FD-24R
	36	F-36	FD-36	F-36R	FD-36R
	46	F-46	FD-46	F-46R	FD-46R
	60	F-60	FD-60	F-60R	FD-60R
	80	F-80	FD-80	F-80R	FD-80R
	120	F-120	FD-120	F-120R	FD-120R
	180	F-180	FD-180	F-180R	FD-180R
	240	F-240	FD-240	F-240R	FD-240R
	320	F-320	FD-320	F-320R	FD-320R
	400	F-400	FD-400	F-400R	FD-400R
	500	F-500	FD-500	F-500R	FD-500R
	600	F-600	FD-600	F-600R	FD-600R
	700	F-700	FD-700	F-700R	FD-700R
	1000	F-1000	FD-1000	F-1000R	FD-1000R
	1200	F-1200	FD-1200	F-1200R	FD-1200R
	1500	F-1500	FD-1500	F-1500R	FD-1500R
	1800	F-1800	FD-1800	F-1800R	FD-1800R
2000	F-2000	FD-2000	F-2000R	FD-2000R	
2500	F-2500	FD-2500	F-2500R	FD-2500R	
3500	F-3500	FD-3500	F-3500R	FD-3500R	

Fickerts:

Length	mm "	90 3.1/2"			130 5"			140 5.1/2"			160 6"			170 7"		
		Material	Silicon Carbide	Silicon Carbide (Resinated)	Diamond (Resinated)	Silicon Carbide	Silicon Carbide (Resinated)	Diamond (Resinated)	Silicon Carbide	Silicon Carbide (Resinated)	Diamond (Resinated)	Silicon Carbide	Silicon Carbide (Resinated)	Diamond (Resinated)	Silicon Carbide	Silicon Carbide (Resinated)
Grit	24	FK90-24	FK90-24R	FKD90-24R	FK130-24	FK130-24R	FKD130-24R	FK140-24	FK140-24R	FKD140-24R	FK160-24	FK160-24R	FKD160-24R	FK170-24	FK170-24R	FKD170-24R
	36	FK90-36	FK90-36R	FKD90-36R	FK130-36	FK130-36R	FKD130-36R	FK140-36	FK140-36R	FKD140-36R	FK160-36	FK160-36R	FKD160-36R	FK170-36	FK170-36R	FKD170-36R
	46	FK90-46	FK90-46R	FKD90-46R	FK130-46	FK130-46R	FKD130-46R	FK140-46	FK140-46R	FKD140-46R	FK160-46	FK160-46R	FKD160-46R	FK170-46	FK170-46R	FKD170-46R
	60	FK90-60	FK90-60R	FKD90-60R	FK130-60	FK130-60R	FKD130-60R	FK140-60	FK140-60R	FKD140-60R	FK160-60	FK160-60R	FKD160-60R	FK170-60	FK170-60R	FKD170-60R
	80	FK90-80	FK90-80R	FKD90-80R	FK130-80	FK130-80R	FKD130-80R	FK140-80	FK140-80R	FKD140-80R	FK160-80	FK160-80R	FKD160-80R	FK170-80	FK170-80R	FKD170-80R
	120	FK90-120	FK90-120R	FKD90-120R	FK130-120	FK130-120R	FKD130-120R	FK140-120	FK140-120R	FKD140-120R	FK160-120	FK160-120R	FKD160-120R	FK170-120	FK170-120R	FKD170-120R
	180	FK90-180	FK90-180R	FKD90-180R	FK130-180	FK130-180R	FKD130-180R	FK140-180	FK140-180R	FKD140-180R	FK160-180	FK160-180R	FKD160-180R	FK170-180	FK170-180R	FKD170-180R
	220	FK90-220	FK90-220R	FKD90-220R	FK130-220	FK130-220R	FKD130-220R	FK140-220	FK140-220R	FKD140-220R	FK160-220	FK160-220R	FKD160-220R	FK170-220	FK170-220R	FKD170-220R
	240	FK90-240	FK90-240R	FKD90-240R	FK130-240	FK130-240R	FKD130-240R	FK140-240	FK140-240R	FKD140-240R	FK160-240	FK160-240R	FKD160-240R	FK170-240	FK170-240R	FKD170-240R
	320	FK90-320	FK90-320R	FKD90-320R	FK130-320	FK130-320R	FKD130-320R	FK140-320	FK140-320R	FKD140-320R	FK160-320	FK160-320R	FKD160-320R	FK170-320	FK170-320R	FKD170-320R
	400	FK90-400	FK90-400R	FKD90-400R	FK130-400	FK130-400R	FKD130-400R	FK140-400	FK140-400R	FKD140-400R	FK160-400	FK160-400R	FKD160-400R	FK170-400	FK170-400R	FKD170-400R
	500	FK90-500	FK90-500R	FKD90-500R	FK130-500	FK130-500R	FKD130-500R	FK140-500	FK140-500R	FKD140-500R	FK160-500	FK160-500R	FKD160-500R	FK170-500	FK170-500R	FKD170-500R
	600	FK90-600	FK90-600R	FKD90-600R	FK130-600	FK130-600R	FKD130-600R	FK140-600	FK140-600R	FKD140-600R	FK160-600	FK160-600R	FKD160-600R	FK170-600	FK170-600R	FKD170-600R
	700	FK90-700	FK90-700R	FKD90-700R	FK130-700	FK130-700R	FKD130-700R	FK140-700	FK140-700R	FKD140-700R	FK160-700	FK160-700R	FKD160-700R	FK170-700	FK170-700R	FKD170-700R
	1000	FK90-1000	FK90-1000R	FKD90-1000R	FK130-1000	FK130-1000R	FKD130-1000R	FK140-1000	FK140-1000R	FKD140-1000R	FK160-1000	FK160-1000R	FKD160-1000R	FK170-1000	FK170-1000R	FKD170-1000R
	1200	FK90-1200	FK90-1200R	FKD90-1200R	FK130-1200	FK130-1200R	FKD130-1200R	FK140-1200	FK140-1200R	FKD140-1200R	FK160-1200	FK160-1200R	FKD160-1200R	FK170-1200	FK170-1200R	FKD170-1200R
	1500	FK90-1500	FK90-1500R	FKD90-1500R	FK130-1500	FK130-1500R	FKD130-1500R	FK140-1500	FK140-1500R	FKD140-1500R	FK160-1500	FK160-1500R	FKD160-1500R	FK170-1500	FK170-1500R	FKD170-1500R
	1800	FK90-1800	FK90-1800R	FKD90-1800R	FK130-1800	FK130-1800R	FKD130-1800R	FK140-1800	FK140-1800R	FKD140-1800R	FK160-1800	FK160-1800R	FKD160-1800R	FK170-1800	FK170-1800R	FKD170-1800R
	2000	FK90-2000	FK90-2000R	FKD90-2000R	FK130-2000	FK130-2000R	FKD130-2000R	FK140-2000	FK140-2000R	FKD140-2000R	FK160-2000	FK160-2000R	FKD160-2000R	FK170-2000	FK170-2000R	FKD170-2000R
	2500	FK90-2500	FK90-2500R	FKD90-2500R	FK130-2500	FK130-2500R	FKD130-2500R	FK140-2500	FK140-2500R	FKD140-2500R	FK160-2500	FK160-2500R	FKD160-2500R	FK170-2500	FK170-2500R	FKD170-2500R
	3500	FK90-3500	FK90-3500R	FKD90-3500R	FK130-3500	FK130-3500R	FKD130-3500R	FK140-3500	FK140-3500R	FKD140-3500R	FK160-3500	FK160-3500R	FKD160-3500R	FK170-3500	FK170-3500R	FKD170-3500R



Aging Round Brushes:

Diameter Ø (d)	mm "	100 4"			120 4.1/2"			140 5.1/2"		
		Fickert's Material	Silicon Carbide	Diamond	Ceramic	Silicon Carbide	Diamond	Ceramic	Silicon Carbide	Diamond
Grit	24	C-DXM100-24	CD-DXM100-24R	CC-DXM100-24	C-DXM120-240	CD-DXM120-24R	CC-DXM120-240	C-DXM140-24	CD-DXM140-24R	CC-DXM140-24
	36	C-DXM100-36	CD-DXM100-36R	CC-DXM100-36	C-DXM120-36	CD-DXM120-36R	CC-DXM120-36	C-DXM140-36	CD-DXM140-36R	CC-DXM140-36
	46	C-DXM100-46	CD-DXM100-46R	CC-DXM100-46	C-DXM120-46	CD-DXM120-46R	CC-DXM120-46	C-DXM140-46	CD-DXM140-46R	CC-DXM140-46
	60	C-DXM100-60	CD-DXM100-60R	CC-DXM100-60	C-DXM120-60	CD-DXM120-60R	CC-DXM120-60	C-DXM140-60	CD-DXM140-60R	CC-DXM140-60
	80	C-DXM100-80	CD-DXM100-80R	CC-DXM100-80	C-DXM120-80	CD-DXM120-80R	CC-DXM120-80	C-DXM140-80	CD-DXM140-80R	CC-DXM140-80
	120	C-DXM100-120	CD-DXM100-120R	CC-DXM100-120	C-DXM120-120	CD-DXM120-120R	CC-DXM120-120	C-DXM140-120	CD-DXM140-120R	CC-DXM140-120
	180	C-DXM100-180	CD-DXM100-180R	CC-DXM100-180	C-DXM120-180	CD-DXM120-180R	CC-DXM120-180	C-DXM140-180	CD-DXM140-180R	CC-DXM140-180
	220	C-DXM100-220	CD-DXM100-220R	CC-DXM100-220	C-DXM120-220	CD-DXM120-220R	CC-DXM120-220	C-DXM140-220	CD-DXM140-220R	CC-DXM140-220
	240	C-DXM100-240	CD-DXM100-240R	CC-DXM100-240	C-DXM120-240	CD-DXM120-240R	CC-DXM120-240	C-DXM140-240	CD-DXM140-240R	CC-DXM140-240
	320	C-DXM100-320	CD-DXM100-320R	CC-DXM100-320	C-DXM120-320	CD-DXM120-320R	CC-DXM120-320	C-DXM140-320	CD-DXM140-320R	CC-DXM140-320
	400	C-DXM100-400	CD-DXM100-400R	CC-DXM100-400	C-DXM120-400	CD-DXM120-400R	CC-DXM120-400	C-DXM140-400	CD-DXM140-400R	CC-DXM140-400
	500	C-DXM100-500	CD-DXM100-500R	CC-DXM100-500	C-DXM120-500	CD-DXM120-500R	CC-DXM120-500	C-DXM140-500	CD-DXM140-500R	CC-DXM140-500
	600	C-DXM100-600	CD-DXM100-600R	CC-DXM100-600	C-DXM120-600	CD-DXM120-600R	CC-DXM120-600	C-DXM140-600	CD-DXM140-600R	CC-DXM140-600
	700	C-DXM100-700	CD-DXM100-700R	CC-DXM100-700	C-DXM120-700	CD-DXM120-700R	CC-DXM120-700	C-DXM140-700	CD-DXM140-700R	CC-DXM140-700
	1000	C-DXM100-1000	CD-DXM100-1000R	CC-DXM100-1000	C-DXM120-1000	CD-DXM120-1000R	CC-DXM120-1000	C-DXM140-1000	CD-DXM140-1000R	CC-DXM140-1000
	1200	C-DXM100-1200	CD-DXM100-1200R	CC-DXM100-1200	C-DXM120-1200	CD-DXM120-1200R	CC-DXM120-1200	C-DXM140-1200	CD-DXM140-1200R	CC-DXM140-1200
	1500	C-DXM100-1500	CD-DXM100-1500R	CC-DXM100-1500	C-DXM120-1500	CD-DXM120-1500R	CC-DXM120-1500	C-DXM140-1500	CD-DXM140-1500R	CC-DXM140-1500
	1800	C-DXM100-1800	CD-DXM100-1800R	CC-DXM100-1800	C-DXM120-1800	CD-DXM120-1800R	CC-DXM120-1800	C-DXM140-1800	CD-DXM140-1800R	CC-DXM140-1800
	2000	C-DXM100-2000	CD-DXM100-2000R	CC-DXM100-2000	C-DXM120-2000	CD-DXM120-2000R	CC-DXM120-2000	C-DXM140-2000	CD-DXM140-2000R	CC-DXM140-2000
	2500	C-DXM100-2500	CD-DXM100-2500R	CC-DXM100-2500	C-DXM120-2500	CD-DXM120-2500R	CC-DXM120-2500	C-DXM140-2500	CD-DXM140-2500R	CC-DXM140-2500
	3500	C-DXM100-3500	CD-DXM100-3500R	CC-DXM100-3500	C-DXM120-3500	CD-DXM120-3500R	CC-DXM120-3500	C-DXM140-3500	CD-DXM140-3500R	CC-DXM140-3500

Diameter Ø (d)	mm "	160 6.1/2"			250 10"		
		Fickert's Material	Silicon Carbide	Diamond	Ceramic	Silicon Carbide	Diamond
24	C-DXM160-24	CD-DXM160-24R	CC-DXM160-24	C-250-24	CD-250-24R	CC-250-24	
36	C-DXM160-36	CD-DXM160-36R	CC-DXM160-36	C-250-36	CD-250-36R	CC-250-36	
46	C-DXM160-46	CD-DXM160-46R	CC-DXM160-46	C-250-46	CD-250-46R	CC-250-46	
60	C-DXM160-60	CD-DXM160-60R	CC-DXM160-60	C-250-60	CD-250-60R	CC-250-60	
80	C-DXM160-80	CD-DXM160-80R	CC-DXM160-80	C-250-80	CD-250-80R	CC-250-80	
120	C-DXM160-120	CD-DXM160-120R	CC-DXM160-120	C-250-120	CD-250-120R	CC-250-120	
180	C-DXM160-180	CD-DXM160-180R	CC-DXM160-180	C-250-180	CD-250-180R	CC-250-180	
220	C-DXM160-220	CD-DXM160-220R	CC-DXM160-220	C-250-220	CD-250-220R	CC-250-220	
240	C-DXM160-240	CD-DXM160-240R	CC-DXM160-240	C-250-240	CD-250-240R	CC-250-240	
320	C-DXM160-320	CD-DXM160-320R	CC-DXM160-320	C-250-320	CD-250-320R	CC-250-320	
400	C-DXM160-400	CD-DXM160-400R	CC-DXM160-400	C-250-400	CD-250-400R	CC-250-400	
500	C-DXM160-500	CD-DXM160-500R	CC-DXM160-500	C-250-500	CD-250-500R	CC-250-500	
600	C-DXM160-600	CD-DXM160-600R	CC-DXM160-600	C-250-600	CD-250-600R	CC-250-600	
700	C-DXM160-700	CD-DXM160-700R	CC-DXM160-700	C-250-700	CD-250-700R	CC-250-700	
1000	C-DXM160-1000	CD-DXM160-1000R	CC-DXM160-1000	C-250-1000	CD-250-1000R	CC-250-1000	
1200	C-DXM160-1200	CD-DXM160-1200R	CC-DXM160-1200	C-250-1200	CD-250-1200R	CC-250-1200	
1500	C-DXM160-1500	CD-DXM160-1500R	CC-DXM160-1500	C-250-1500	CD-250-1500R	CC-250-1500	
1800	C-DXM160-1800	CD-DXM160-1800R	CC-DXM160-1800	C-250-1800	CD-250-1800R	CC-250-1800	
2000	C-DXM160-2000	CD-DXM160-2000R	CC-DXM160-2000	C-250-2000	CD-250-2000R	CC-250-2000	
2500	C-DXM160-2500	CD-DXM160-2500R	CC-DXM160-2500	C-250-2500	CD-250-2500R	CC-250-2500	
3500	C-DXM160-3500	CD-DXM160-3500R	CC-DXM160-3500	C-250-3500	CD-250-3500R	CC-250-3500	



Diameter Ø (d)	mm "	100 4"			120 4.1/2"			140 5.1/2"		
		Silicon Carbide			Silicon Carbide	Diamond	Ceramic	Silicon Carbide	Diamond	Ceramic
Grit	24	C-DX58100-24	CD-DX58100-24R	CC-DX58100-24	C-DX58120-24	CD-DX58120-24	CC-DX58120-24	C-DX58140-24	CD-DX58140-24R	CC-DX58140-24
	36	C-DX58100-36	CD-DX58100-36R	CC-DX58100-36	C-DX58120-36	CD-DX58120-36R	CC-DX58120-36	C-DX58140-36	CD-DX58140-36R	CC-DX58140-36
	46	C-DX58100-46	CD-DX58100-46R	CC-DX58100-46	C-DX58120-46	CD-DX58120-46R	CC-DX58120-46	C-DX58140-46	CD-DX58140-46R	CC-DX58140-46
	60	C-DX58100-60	CD-DX58100-60R	CC-DX58100-60	C-DX58120-60	CD-DX58120-60R	CC-DX58120-60	C-DX58140-60	CD-DX58140-60R	CC-DX58140-60
	80	C-DX58100-80	CD-DX58100-80R	CC-DX58100-80	C-DX58120-80	CD-DX58120-80R	CC-DX58120-80	C-DX58140-80	CD-DX58140-80R	CC-DX58140-80
	120	C-DX58100-120	CD-DX58100-120R	CC-DX58100-120	C-DX58120-120	CD-DX58120-120R	CC-DX58120-120	C-DX58140-120	CD-DX58140-120R	CC-DX58140-120
	180	C-DX58100-180	CD-DX58100-180R	CC-DX58100-180	C-DX58120-180	CD-DX58120-180R	CC-DX58120-180	C-DX58140-180	CD-DX58140-180R	CC-DX58140-180
	220	C-DX58100-220	CD-DX58100-220R	CC-DX58100-220	C-DX58120-220	CD-DX58120-220R	CC-DX58120-220	C-DX58140-220	CD-DX58140-220R	CC-DX58140-220
	240	C-DX58100-240	CD-DX58100-240R	CC-DX58100-240	C-DX58120-240	CD-DX58120-240R	CC-DX58120-240	C-DX58140-240	CD-DX58140-240R	CC-DX58140-240
	320	C-DX58100-320	CD-DX58100-320R	CC-DX58100-320	C-DX58120-320	CD-DX58120-320R	CC-DX58120-320	C-DX58140-320	CD-DX58140-320R	CC-DX58140-320
	400	C-DX58100-400	CD-DX58100-400R	CC-DX58100-400	C-DX58120-400	CD-DX58120-400R	CC-DX58120-400	C-DX58140-400	CD-DX58140-400R	CC-DX58140-400
	500	C-DX58100-500	CD-DX58100-500R	CC-DX58100-500	C-DX58120-500	CD-DX58120-500R	CC-DX58120-500	C-DX58140-500	CD-DX58140-500R	CC-DX58140-500
	600	C-DX58100-600	CD-DX58100-600R	CC-DX58100-600	C-DX58120-600	CD-DX58120-600R	CC-DX58120-600	C-DX58140-600	CD-DX58140-600R	CC-DX58140-600
	700	C-DX58100-700	CD-DX58100-700R	CC-DX58100-700	C-DX58120-700	CD-DX58120-700R	CC-DX58120-700	C-DX58140-700	CD-DX58140-700R	CC-DX58140-700
	1000	C-DX58100-1000	CD-DX58100-1000R	CC-DX58100-1000	C-DX58120-1000	CD-DX58120-1000R	CC-DX58120-1000	C-DX58140-1000	CD-DX58140-1000R	CC-DX58140-1000
	1200	C-DX58100-1200	CD-DX58100-1200R	CC-DX58100-1200	C-DX58120-1200	CD-DX58120-1200R	CC-DX58120-1200	C-DX58140-1200	CD-DX58140-1200R	CC-DX58140-1200
	1500	C-DX58100-1500	CD-DX58100-1500R	CC-DX58100-1500	C-DX58120-1500	CD-DX58120-1500R	CC-DX58120-1500	C-DX58140-1500	CD-DX58140-1500R	CC-DX58140-1500
	1800	C-DX58100-1800	CD-DX58100-1800R	CC-DX58100-1800	C-DX58120-1800	CD-DX58120-1800R	CC-DX58120-1800	C-DX58140-1800	CD-DX58140-1800R	CC-DX58140-1800
	2000	C-DX58100-2000	CD-DX58100-2000R	CC-DX58100-2000	C-DX58120-2000	CD-DX58120-2000R	CC-DX58120-2000	C-DX58140-2000	CD-DX58140-2000R	CC-DX58140-2000
	2500	C-DX58100-2500	CD-DX58100-2500R	CC-DX58100-2500	C-DX58120-2500	CD-DX58120-2500R	CC-DX58120-2500	C-DX58140-2500	CD-DX58140-2500R	CC-DX58140-2500
3500	C-DX58100-3500	CD-DX58100-3500R	CC-DX58100-3500	C-DX58120-3500	CD-DX58120-3500R	CC-DX58120-3500	C-DX58140-3500	CD-DX58140-3500R	CC-DX58140-3500	

Diameter Ø (d)	mm "	160 6.1/2"			250 10"		
		Silicon Carbide	Diamond	Ceramic	Silicon Carbide	Diamond	Ceramic
Grit	24	C-DX58160-24	CD-DX58160-24R	CC-DX58160-24	C-250-24	CD-250-24R	CC-250-24
	36	C-DX58160-36	CD-DX58160-36R	CC-DX58160-36	C-250-36	CD-250-36R	CC-250-36
	46	C-DX58160-46	CD-DX58160-46R	CC-DX58160-46	C-250-46	CD-250-46R	CC-250-46
	60	C-DX58160-60	CD-DX58160-60R	CC-DX58160-60	C-250-60	CD-250-60R	CC-250-60
	80	C-DX58160-80	CD-DX58160-80R	CC-DX58160-80	C-250-80	CD-250-80R	CC-250-80
	120	C-DX58160-120	CD-DX58160-120R	CC-DX58160-120	C-250-120	CD-250-120R	CC-250-120
	180	C-DX58160-180	CD-DX58160-180R	CC-DX58160-180	C-250-180	CD-250-180R	CC-250-180
	220	C-DX58160-220	CD-DX58160-220R	CC-DX58160-220	C-250-220	CD-250-220R	CC-250-220
	240	C-DX58160-240	CD-DX58160-240R	CC-DX58160-240	C-250-240	CD-250-240R	CC-250-240
	320	C-DX58160-320	CD-DX58160-320R	CC-DX58160-320	C-250-320	CD-250-320R	CC-250-320
	400	C-DX58160-400	CD-DX58160-400R	CC-DX58160-400	C-250-400	CD-250-400R	CC-250-400
	500	C-DX58160-500	CD-DX58160-500R	CC-DX58160-500	C-250-500	CD-250-500R	CC-250-500
	600	C-DX58160-600	CD-DX58160-600R	CC-DX58160-600	C-250-600	CD-250-600R	CC-250-600
	700	C-DX58160-700	CD-DX58160-700R	CC-DX58160-700	C-250-700	CD-250-700R	CC-250-700
	1000	C-DX58160-1000	CD-DX58160-1000R	CC-DX58160-1000	C-250-1000	CD-250-1000R	CC-250-1000
	1200	C-DX58160-1200	CD-DX58160-1200R	CC-DX58160-1200	C-250-1200	CD-250-1200R	CC-250-1200
	1500	C-DX58160-1500	CD-DX58160-1500R	CC-DX58160-1500	C-250-1500	CD-250-1500R	CC-250-1500
	1800	C-DX58160-1800	CD-DX58160-1800R	CC-DX58160-1800	C-250-1800	CD-250-1800R	CC-250-1800
	2000	C-DX58160-2000	CD-DX58160-2000R	CC-DX58160-2000	C-250-2000	CD-250-2000R	CC-250-2000
	2500	C-DX58160-2500	CD-DX58160-2500R	CC-DX58160-2500	C-250-2500	CD-250-2500R	CC-250-2500
3500	C-DX58160-3500	CD-DX58160-3500R	CC-DX58160-3500	C-250-3500	CD-250-3500R	CC-250-3500	

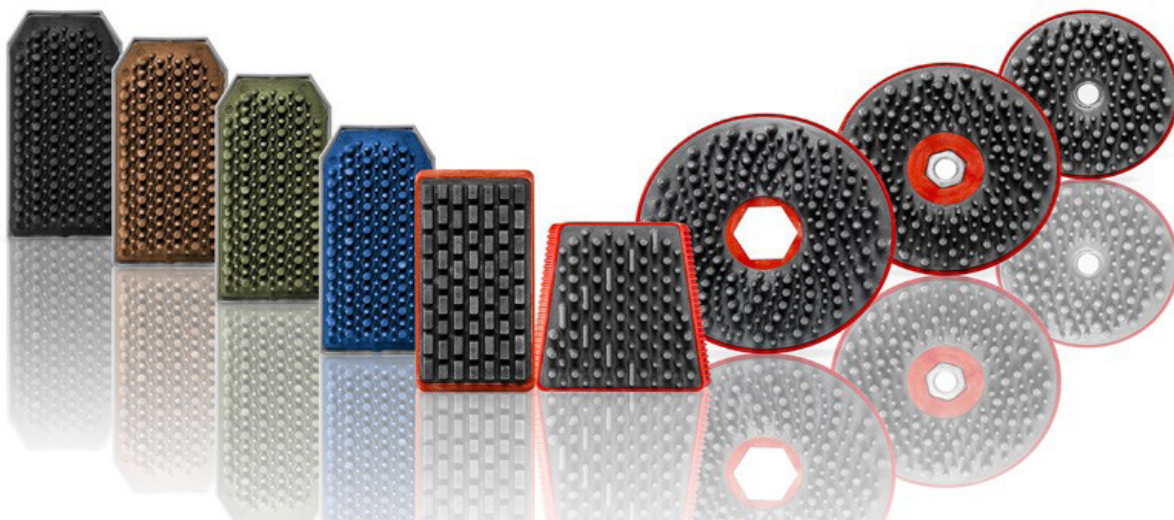


07.02 Cepiflex:

CEPIFLEX have been developed to achieve satin/matt finishes on both natural and synthetic stone. These abrasive rubber brushes are produced by injection molding to achieve perfect smoothness and uniformity.

The grains are distributed:

- **LUX:** for higher brightness, faster cutting and glazed finish
- **MAT:** opaque materials, i.e. those that have less than 10 brightness points.



Product	Round										Fickert			
	100		130		140		140		140		140		140	
	4"		5"		6"		6"		6"		6"		6"	
Design	LUX	MAT	LUX	MAT	LUX	MAT	LUX	MAT	LUX	MAT	LUX	MAT	LUX	MAT
24	CG-DXM100-D24	CG-DXM100-S24	CG-DXM130-D24	CG-DXM130-D240	CG-DXM140-D24	CG-DXM140-S24	FKGS140-SL6-D24	FKGS140-SL6-S24	FKGS140-D24	FKGS140-S24				
36	CG-DXM100-D36	CG-DXM100-D36	CG-DXM130-D36	CG-DXM130-D36	CG-DXM140-D36	CG-DXM140-D36	FKGS140-SL6-D36	FKGS140-SL6-S36	FKGS140-D36	FKGS140-S36				
46	CG-DXM100-D46	CG-DXM100-D46	CG-DXM130-D46	CG-DXM130-D46	CG-DXM140-D46	CG-DXM140-D46	FKGS140-SL6-D46	FKGS140-SL6-S46	FKGS140-D46	FKGS140-S46				
60	CG-DXM100-D60	CG-DXM100-D60	CG-DXM130-D60	CG-DXM130-D60	CG-DXM140-D60	CG-DXM140-D60	FKGS140-SL6-D60	FKGS140-SL6-S60	FKGS140-D60	FKGS140-S60				
80	CG-DXM100-D80	CG-DXM100-D80	CG-DXM130-D80	CG-DXM130-D80	CG-DXM140-D80	CG-DXM140-D80	FKGS140-SL6-D80	FKGS140-SL6-S80	FKGS140-D80	FKGS140-S80				
120	CG-DXM100-D120	CG-DXM100-D120	CG-DXM130-D120	CG-DXM130-D120	CG-DXM140-D120	CG-DXM140-D120	FKGS140-SL6-D120	FKGS140-SL6-S120	FKGS140-D120	FKGS140-S120				
180	CG-DXM100-D180	CG-DXM100-D180	CG-DXM130-D180	CG-DXM130-D180	CG-DXM140-D180	CG-DXM140-D180	FKGS140-SL6-D180	FKGS140-SL6-S180	FKGS140-D180	FKGS140-S180				
220	CG-DXM100-D220	CG-DXM100-D220	CG-DXM130-D220	CG-DXM130-D220	CG-DXM140-D220	CG-DXM140-D220	FKGS140-SL6-D220	FKGS140-SL6-S220	FKGS140-D220	FKGS140-S220				
240	CG-DXM100-D240	CG-DXM100-D240	CG-DXM130-D240	CG-DXM130-D240	CG-DXM140-D240	CG-DXM140-D240	FKGS140-SL6-D240	FKGS140-SL6-S240	FKGS140-D240	FKGS140-S240				
320	CG-DXM100-D320	CG-DXM100-D320	CG-DXM130-D320	CG-DXM130-D320	CG-DXM140-D320	CG-DXM140-D320	FKGS140-SL6-D320	FKGS140-SL6-S320	FKGS140-D320	FKGS140-S320				
400	CG-DXM100-D400	CG-DXM100-D400	CG-DXM130-D400	CG-DXM130-D400	CG-DXM140-D400	CG-DXM140-D400	FKGS140-SL6-D400	FKGS140-SL6-S400	FKGS140-D400	FKGS140-S400				
500	CG-DXM100-D500	CG-DXM100-D500	CG-DXM130-D500	CG-DXM130-D500	CG-DXM140-D500	CG-DXM140-D500	FKGS140-SL6-D500	FKGS140-SL6-S500	FKGS140-D500	FKGS140-S500				
600	CG-DXM100-D600	CG-DXM100-D600	CG-DXM130-D600	CG-DXM130-D600	CG-DXM140-D600	CG-DXM140-D600	FKGS140-SL6-D600	FKGS140-SL6-S600	FKGS140-D600	FKGS140-S600				
700	CG-DXM100-D700	CG-DXM100-D700	CG-DXM130-D700	CG-DXM130-D700	CG-DXM140-D700	CG-DXM140-D700	FKGS140-SL6-D700	FKGS140-SL6-S700	FKGS140-D700	FKGS140-S700				
1000	CG-DXM100-D1000	CG-DXM100-D1000	CG-DXM130-D1000	CG-DXM130-D1000	CG-DXM140-D1000	CG-DXM140-D1000	FKGS140-SL6-D1000	FKGS140-SL6-S1000	FKGS140-D1000	FKGS140-S1000				
1200	CG-DXM100-D1200	CG-DXM100-D1200	CG-DXM130-D1200	CG-DXM130-D1200	CG-DXM140-D1200	CG-DXM140-D1200	FKGS140-SL6-D1200	FKGS140-SL6-S1200	FKGS140-D1200	FKGS140-S1200				
1500	CG-DXM100-D1500	CG-DXM100-D1500	CG-DXM130-D1500	CG-DXM130-D1500	CG-DXM140-D1500	CG-DXM140-D1500	FKGS140-SL6-D1500	FKGS140-SL6-S1500	FKGS140-D1500	FKGS140-S1500				
1800	CG-DXM100-D1800	CG-DXM100-D1800	CG-DXM130-D1800	CG-DXM130-D1800	CG-DXM140-D1800	CG-DXM140-D1800	FKGS140-SL6-D1800	FKGS140-SL6-S1800	FKGS140-D1800	FKGS140-S1800				
2000	CG-DXM100-D2000	CG-DXM100-D2000	CG-DXM130-D2000	CG-DXM130-D2000	CG-DXM140-D2000	CG-DXM140-D2000	FKGS140-SL6-D2000	FKGS140-SL6-S2000	FKGS140-D2000	FKGS140-S2000				
2500	CG-DXM100-D2500	CG-DXM100-D2500	CG-DXM130-D2500	CG-DXM130-D2500	CG-DXM140-D2500	CG-DXM140-D2500	FKGS140-SL6-D2500	FKGS140-SL6-S2500	FKGS140-D2500	FKGS140-S2500				
3500	CG-DXM100-D3500	CG-DXM100-D3500	CG-DXM130-D3500	CG-DXM130-D3500	CG-DXM140-D3500	CG-DXM140-D3500	FKGS140-SL6-D3500	FKGS140-SL6-S3500	FKGS140-D3500	FKGS140-S3500				

Product	Fickert BIG						Frankfurt	
	140		140		140			
	6"		6"		6"			
Design	LUX	MAT	LUX	MAT	LUX	MAT	LUX	MAT
24	FKGS140R-SL6-D24	FKGS140R-SL6-S24	FKGS140R-D24	FKGS140R-S24	FGS-D24	FGS-S24		
36	FKGS140R-SL6-D36	FKGS140R-SL6-S36	FKGS140R-D36	FKGS140R-S36	FGS-D36	FGS-S36		
46	FKGS140R-SL6-D46	FKGS140R-SL6-S46	FKGS140R-D46	FKGS140R-S46	FGS-D46	FGS-S46		
60	FKGS140R-SL6-D60	FKGS140R-SL6-S60	FKGS140R-D60	FKGS140R-S60	FGS-D60	FGS-S60		
80	FKGS140R-SL6-D80	FKGS140R-SL6-S80	FKGS140R-D80	FKGS140R-S80	FGS-D80	FGS-S80		
120	FKGS140R-SL6-D120	FKGS140R-SL6-S120	FKGS140R-D120	FKGS140R-S120	FGS-D120	FGS-S120		
180	FKGS140R-SL6-D180	FKGS140R-SL6-S180	FKGS140R-D180	FKGS140R-S180	FGS-D180	FGS-S180		
220	FKGS140R-SL6-D220	FKGS140R-SL6-S220	FKGS140R-D220	FKGS140R-S220	FGS-D220	FGS-S220		
240	FKGS140R-SL6-D240	FKGS140R-SL6-S240	FKGS140R-D240	FKGS140R-S240	FGS-D240	FGS-S240		
320	FKGS140R-SL6-D320	FKGS140R-SL6-S320	FKGS140R-D320	FKGS140R-S320	FGS-D320	FGS-S320		
400	FKGS140R-SL6-D400	FKGS140R-SL6-S400	FKGS140R-D400	FKGS140R-S400	FGS-D400	FGS-S400		
500	FKGS140R-SL6-D500	FKGS140R-SL6-S500	FKGS140R-D500	FKGS140R-S500	FGS-D500	FGS-S500		
600	FKGS140R-SL6-D600	FKGS140R-SL6-S600	FKGS140R-D600	FKGS140R-S600	FGS-D600	FGS-S600		
700	FKGS140R-SL6-D700	FKGS140R-SL6-S700	FKGS140R-D700	FKGS140R-S700	FGS-D700	FGS-S700		
1000	FKGS140R-SL6-D1000	FKGS140R-SL6-S1000	FKGS140R-D1000	FKGS140R-S1000	FGS-D1000	FGS-S1000		
1200	FKGS140R-SL6-D1200	FKGS140R-SL6-S1200	FKGS140R-D1200	FKGS140R-S1200	FGS-D1200	FGS-S1200		
1500	FKGS140R-SL6-D1500	FKGS140R-SL6-S1500	FKGS140R-D1500	FKGS140R-S1500	FGS-D1500	FGS-S1500		
1800	FKGS140R-SL6-D1800	FKGS140R-SL6-S1800	FKGS140R-D1800	FKGS140R-S1800	FGS-D1800	FGS-S1800		
2000	FKGS140R-SL6-D2000	FKGS140R-SL6-S2000	FKGS140R-D2000	FKGS140R-S2000	FGS-D2000	FGS-S2000		
2500	FKGS140R-SL6-D2500	FKGS140R-SL6-S2500	FKGS140R-D2500	FKGS140R-S2500	FGS-D2500	FGS-S2500		
3500	FKGS140R-SL6-D3500	FKGS140R-SL6-S3500	FKGS140R-D3500	FKGS140R-S3500	FGS-D3500	FGS-S3500		

Flex Rubber Abrasive

Flex rubber abrasives are made of rubber, making them perfect for satin finishing and cleaning.



Product		Honeyflex	
Lenght	mm	125	150
	"	5"	6"
Grit	50	HNFLX-5-220	HNFLX-6-220
	100	HNFLX-5-400	HNFLX-6-400
	200	HNFLX-5-500	HNFLX-6-500
	400	HNFLX-5-600	HNFLX-6-600
	800	HNFLX-5-800	HNFLX-6-800
	1500	HNFLX-5-1000	HNFLX-6-1000
	3000	HNFLX-5-1200	HNFLX-6-1200
Product		Chamferingflex	
Lenght	mm	125	
	"	5"	
Grit	220	Cham-5-220	
	400	Cham-5-400	
	500	Cham-5-500	
	600	Cham-5-600	
	800	Cham-5-800	
	1000	Cham-5-1000	
	1200	Cham-5-1200	
	1500	Cham-5-1500	
	3000	Cham-5-3000	

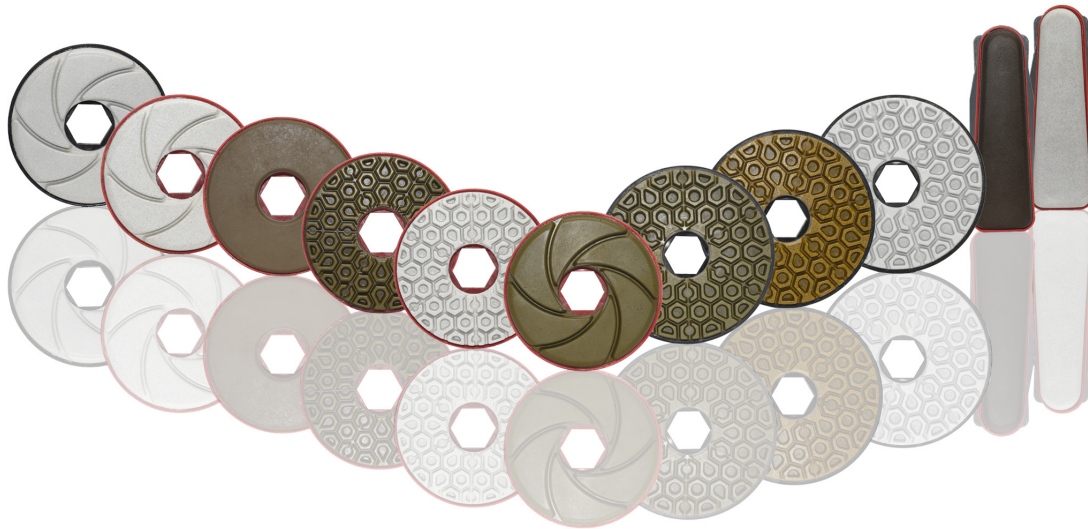
07.3 Resin Abrasives:

Our line of products, **DIAMOND RESIN**, is used for polishing natural stone and synthetic stone. Our products are fabricated with the best resins and high-purity diamonds. We also produce them in all formats for edge polishing and flat surfaces

With our abrasives, you will achieve the high-quality finishes you desire.

We also offer the **Abrasives FLEX Line**, which consists of abrasive made of rubber, perfect for matt polishing and cleaning.

For more effects, please also check out our product line.



Resin Abrasive Round Brushes - Honey



Product	Lenght		Design	Grit						
	mm	"		50	100	200	500	1000	2000	3000
Honey (Straight)	100	4"	Epoxy	CORE100-50	CORE100-100	CORE100-200	CORE100-500	CORE100-1000	CORE100-2000	CORE100-3000
			White resin	CORM100-50	CORM100-100	CORM100-200	CORM100-500	CORM100-1000	CORM100-2000	CORM100-3000
	125	5"	Epoxy	CORE125-50	CORE125-100	CORE125-200	CORE125-500	CORE125-1000	CORE125-2000	CORE125-3000
			White resin	CORM125-50	CORM125-100	CORM125-200	CORM125-500	CORM125-1000	CORM125-2000	CORM125-3000
	150	6"	Epoxy	CORE150-50	CORE150-100	CORE150-200	CORE150-500	CORE150-1000	CORE150-2000	CORE150-3000
			White resin	CORM150-50	CORM150-100	CORM150-200	CORM150-500	CORM150-1000	CORM150-2000	CORM150-3000

Resin Abrasive Round Brushes - Turbo



Producto	Longitud		Diseño	Grano						
	mm	"		50	100	200	500	1000	2000	3000
Turbo (Toro)	100	4"	Epoxy	CORET100-50	CORET100-100	CORET100-200	CORET100-500	CORET100-1000	CORET100-2000	CORET100-3000
			White resin	CORMT100-50	CORMT100-100	CORMT100-200	CORMT100-500	CORMT100-1000	CORMT100-2000	CORMT100-3000
	125	5"	Epoxy	CORET125-50	CORET125-100	CORET125-200	CORET125-500	CORET125-1000	CORET125-2000	CORET125-3000
			Resina Blanca	CORMT125-50	CORMT125-100	CORMT125-200	CORMT125-500	CORMT125-1000	CORMT125-2000	CORMT125-3000
	150	6"	Epoxy	CORET150-50	CORET150-100	CORET150-200	CORET150-500	CORET150-1000	CORET150-2000	CORET150-3000
			Resina Blanca	CORMT150-50	CORMT150-100	CORMT150-200	CORMT150-500	CORMT150-1000	CORMT150-2000	CORMT150-3000

Chamfering

Material		Epoxy	White Resin
Lenght	mm	125	125
	"	5"	5"
Grit	220	Cham125-220	Cham125M-220
	400	Cham125-400	Cham125M-400
	500	Cham125-500	Cham125M-500
	600	Cham125-600	Cham125M-600
	800	Cham125-800	Cham125M-800
	1000	Cham125-1000	Cham125M-1000
	1200	Cham125-1200	Cham125M-1200
	1500	Cham125-1500	Cham125M-1500
	3000	Cham125-3000	Cham125M-3000



Fickert



Product		Fickert			
Lenght	mm	130		150	160
		Epoxy	White resin	Epoxy	
Grit	120	FKE130-120	FKRM130-120	FKRE150-120	FKRE160-120
	180	FKE130-180	FKRM130-180	FKRE150-180	FKRE160-180
	220	FKE130-220	FKRM130-220	FKRE150-220	FKRE160-220
	240	FKE130-240	FKRM130-240	FKRE150-240	FKRE160-240
	320	FKE130-320	FKRM130-320	FKRE150-320	FKRE160-320
	400	FKE130-400	FKRM130-400	FKRE150-400	FKRE160-400
	500	FKE130-500	FKRM130-500	FKRE150-500	FKRE160-500
	600	FKE130-600	FKRM130-600	FKRE150-600	FKRE160-600
	700	FKE130-700	FKRM130-700	FKRE150-700	FKRE160-700
	1000	FKE130-1000	FKRM130-1000	FKRE150-1000	FKRE160-1000
	1200	FKE130-1200	FKRM130-1200	FKRE150-1200	FKRE160-1200

Scotch Deburring

Style	mm	Coarse	Medium	Thin
Diamater Ø (d)	115	C-DX115BA	C-DX115ME	C-DX115FI
	125	C-DX125BA	C-DX125ME	C-DX125FI

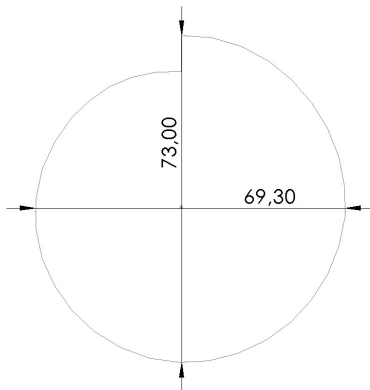


08

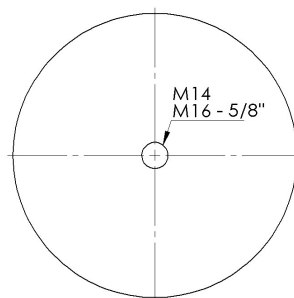
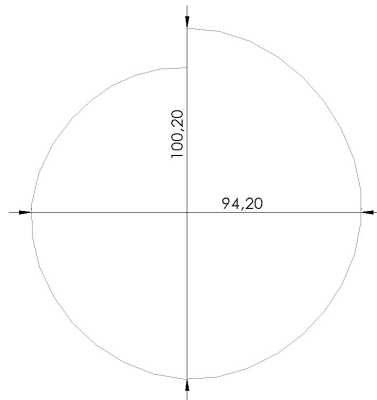
Fixation

At Cepicat we work mainly with these fixings,
but we will adapt to your needs.

For 4":



For 5" and 6":



09

How to make a Cepicat order?

Send us the code of all the products you need to info@cepikat.com,
and we'll get back to you straight away.



cepicat

C/ de Can Negoci 6 - 8,
Poligon industrial
Can Negoci,
08310 Argentona,
Barcelona

+34937566124
info@cepicat.com